

Material - 1.2mm Mild Steel

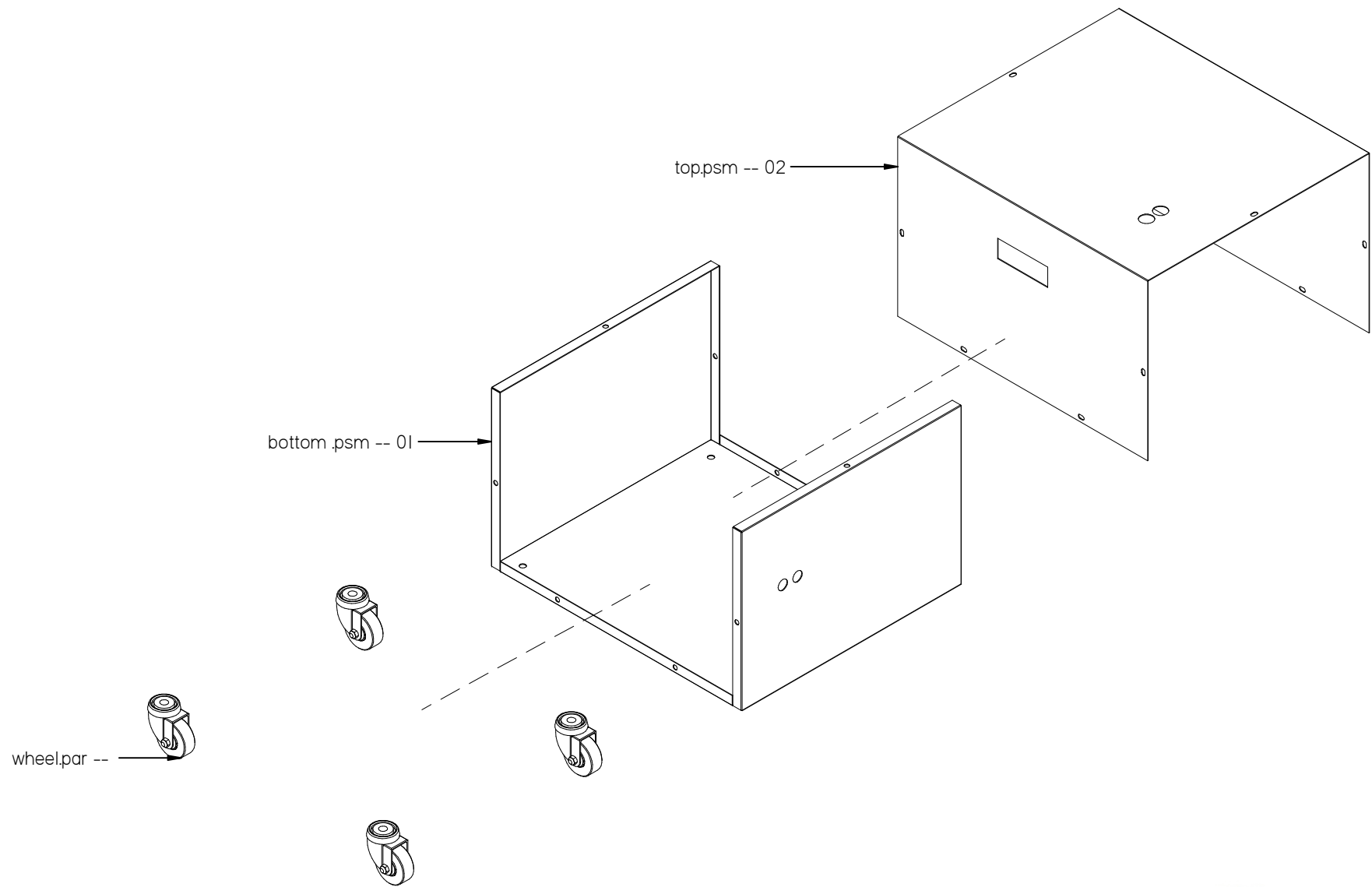
VAN WYK'S ELECTRICAL

REG. Number 1983/007915/07 P.O. Box 14534
 141 Station Rd Farrarmere
 Brakpan 1518
 1541 TEL : 011 740 1238
 www.vwe.co.za FAX : 011 740 1268

CAB 02

\\VANWYKSRV2\VWE_Primary\Customers\Specialised Battery Systems (COD)\Customer Standards\CAB 02





VAN WYK'S ELECTRICAL

REG. Number 1983/007915/07 P.O. Box 14534
 141 Station Rd Farrarmere
 Brakpan 1518
 1541 TEL : 011 740 1238
 www.vwe.co.za FAX : 011 740 1268

CAB 02

\\VANWYKSRV2\VWE_Primary\Customers\Specialised Battery Systems (COD)\Customer Standards\CAB 02

